

connector schuko-type - with hinged lid, System E Belgian/French standard



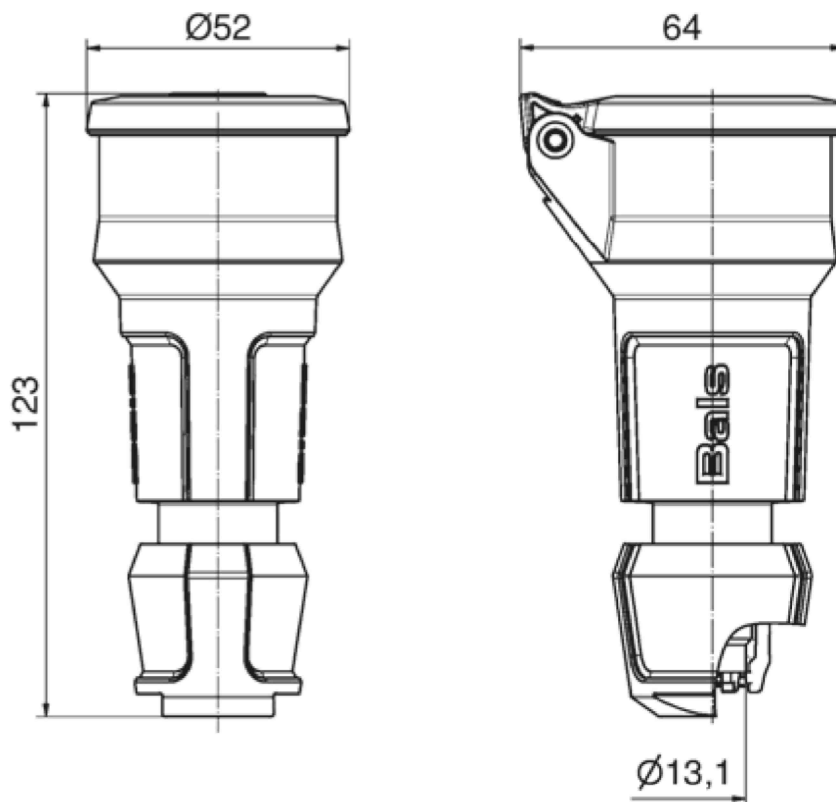
Product description	
BALS-Prd.-Nr	7492
EAN	4024941853729
Product group	Domestic connector with Multi-Grip cable gland
Current	16A
Number of poles	3p
Arrangement of the phases	2P+PE
Voltage	250V
Frequency	alternating current (AC)

Product description	
Protection degree	IP54
Colour code	black
Colour of appliance	Hinged lid black
Connection design	head-screw terminal
Maximum conductor size	4,0 qmm
Cable entry	Cable gland
Material of enclosure	Polyamide
Contacts	The contact carrier is made of polyamide, the contacts are brass nickel plated

Additional technical information	
	Multi-Grip cable gland with gasket and integrated strain relief
	With self-closing hinged lid

Logistics data	
Weight/pcs	0.099 kg / piece
Packaging	bag
Content amount	1 ST
EAN	4024941853729
Length	410 mm
Width	285 mm
Weight	0.099 kg

Logistics data	
Packaging	carton
Content amount	20 ST
EAN	4024941323703
Length	245 mm
Width	177 mm
Height	185 mm
Weight	2.113 kg
Volume	7,140 ccm



18 MB 120